

NEW UPDATED WOLFLITE H-4DCALED HANDLAMP



WITHOUT COMPROMISE

H-4DCALED ZONES **1** **2** **21** **22**

PRODUCT INFORMATION

The new 2021 WolfLite® H-4DCALED primary cell powered LED safety handlamp has been CE marked in compliance with the 2014/34/ EU explosive atmospheres ATEX directive and UKCA marked in compliance with UKSI 2016/1107 UKEX Statutory Instrument, for use in a wide range of potentially explosive gases, vapours, mists and dusts.

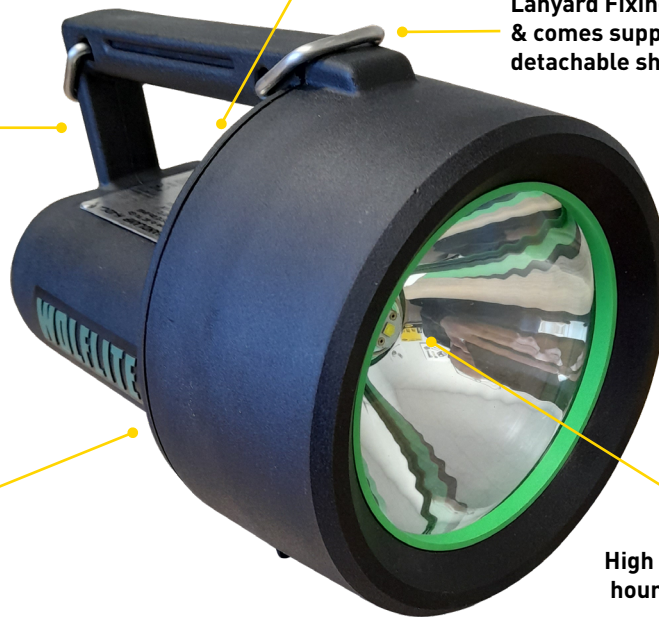
Large Switch for easy operation with gloved or bare hands

Lanyard Fixings attached & comes supplied with detachable shoulder strap

Ergonomic Design, easy to use with gloved hands

Robust, Reliable and Proven Materials

High power LED with 10,000+ hours lifespan & 269 lumens light output (at source)



LIGHT OUTPUT/DURATION/POWER

- New long life LED light source with 269 lumens measured at source
- Alkaline cell approval giving up to 45 hour duration

CERTIFICATION

- Certified for ATEX, IECEx & UKEX. Zones 1, 2, 21 and 22
- CE and UKCA marked
- Lloyd's Register Type Approved
- -10°C to +40°C temperature ambient
- T4 temperature class
- IP66 ingress protection

FEATURES

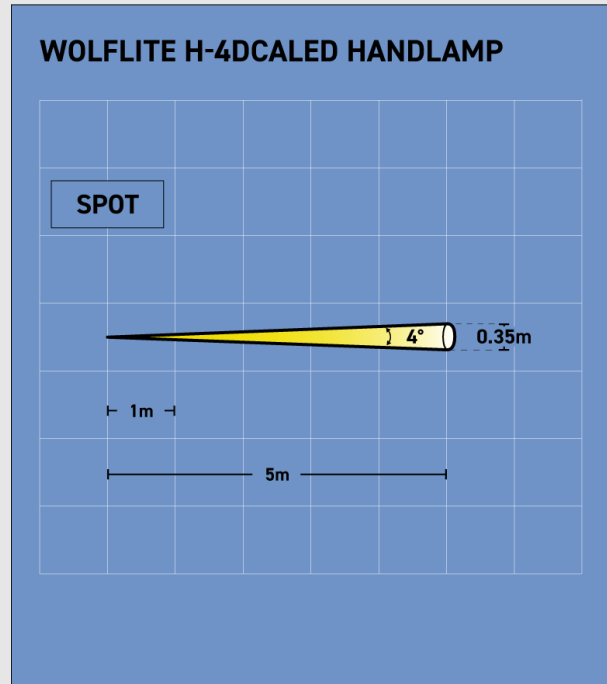
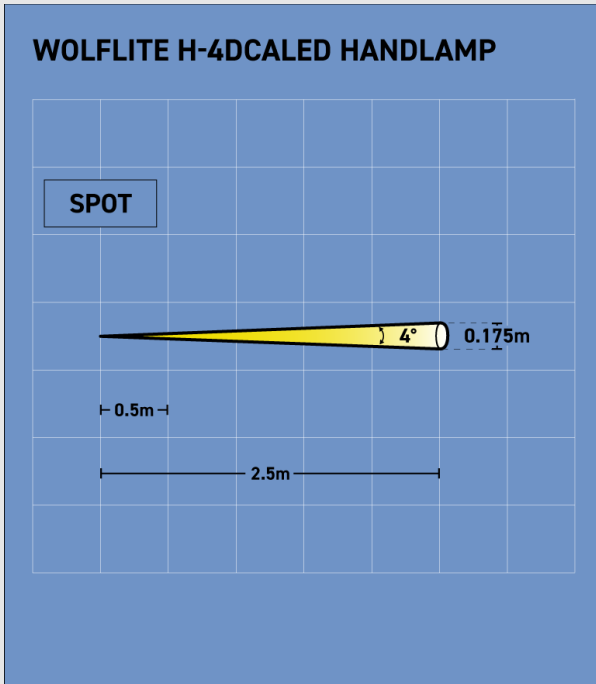
- LED light source gives increased light output and battery duration
- Robust anti-static thermoplastic lamp enclosure
- Supplied with detachable shoulder strap



- The H-4DCALED has an intense spot beam measuring approximately 4°, ideal for inspection worktasks

TECHNICAL INFORMATION

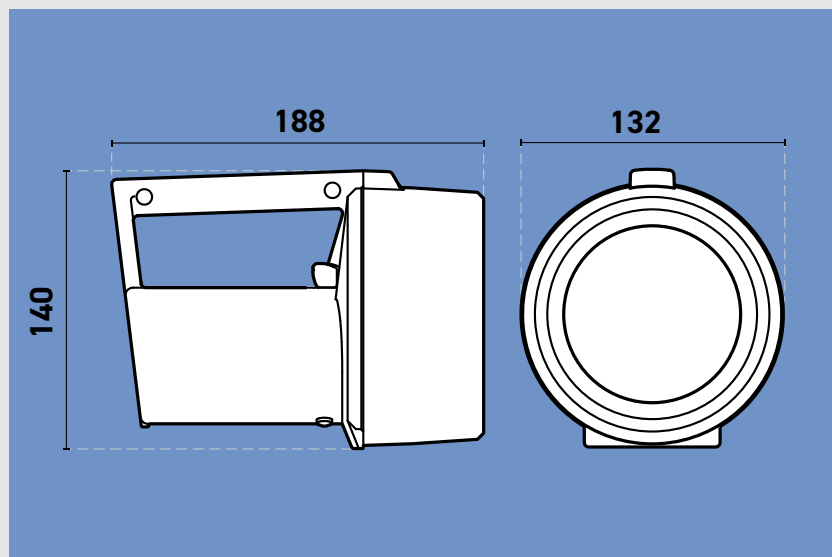
LIGHT OUTPUT DIAGRAM



Spot Beam, Measuring at approximately 4° with a flood of lower level fringe light. 695 lux @ 5m

PRODUCT DIMENSIONS

H-4DCALED



MEASUREMENT mm



NEW UPDATED WOLFLITE H-4DCALED HANDLAMP

PRODUCT REFERENCE		H-4DCALED
PRODUCT DESCRIPTION		LED Safety Handlamp, Primary Cell Powered
CODE	ATEX, IECEx & UKCA	II 2GD Ex eb ib IIC T4 Gb Ex tb IIIC T135°C Db IP66
TYPE OF PROTECTION		"eb" increased safety, "ib" intrinsic safety, "tb" protection by enclosure
AREA OF CLASSIFICATION (GAS)		Zones 1 and 2, Gas Groups IIA, IIB and IIC
TEMPERATURE CLASS (GAS)		T4
AREA OF CLASSIFICATION (DUST)		Zones 21 & 22, Dust Groups IIIA, IIIB and IIIC
MAX. SURFACE TEMP. (DUST)		135°C
AMBIENT TEMPERATURE		-10°C to +40°C
CERTIFICATE	ATEX	BAS00ATEX2176
	UKEX	BAS21UKEX0359
	IECEX	IECEX BAS 16.0076
ENCLOSURE / LENS		Thermoplastic, Anti-Static / Toughened Glass (6mm)
BEAM TYPE		Spot
LIGHT SOURCE	PART NUMBER	H-84
	TYPE	New Two-Part LED Module
	WATTS	1.51W
	OUTPUT AT SOURCE	269lm
	LIFE	25,000 hrs
POWER SOURCE	PART NO.	4 x H-20 (LR20)
	TYPE	LR20/R20 Primary Cells to IEC60086
	VOLTS	4 x 1.5V
LIGHT DURATION		Up to 45 hrs
INGRESS PROTECTION		IP66
WEIGHT (INC. CELLS)		1.54kg

All information has been gathered under laboratory conditions, the user must regard the values given as approximate. Changes may be made to the above specification without notification, details are available on request.



Wolf Safety Lamp Company
Saxon Road Works, Sheffield S8 0YA, UK

T: +44 (0) 114 255 1051
E: info@wolfsafety.com

