

ATEX COMPACT SAFETY LED TORCH



WITHOUT COMPROMISE

TR-65 ZONES **0 1 2 21 22** TR-60 ZONES **1 2 21 22**

PRODUCT INFORMATION

The TR-65 (Zones 0, 1, 2, 21 & 22) and TR-60 (1, 2, 21 & 22) are compact, lightweight, right angle LED ATEX torches for use in the most demanding hazardous area workplaces.



LIGHT OUTPUT/DURATION/POWER

- Long life LED light source with 300 lumens emitted (TR-65)/200 lumens (TR-60)
- Duration at different power levels: 7/14/159 hours (TR-65)/Up to 12 hours (TR-60)
- 4 x AA alkaline primary cells
- 3 power modes for different light output (TR-65); single mode (TR-60)
- Balanced spot and fringe optics

CERTIFICATION

- ATEX/IECEx Zone 0/21 (TR-65)/Zone 1/21 (TR-60)
- T4 temperature class
- IP66 and IP67 water and dust tight

FEATURES

- Battery level indicator (TR-65)
- Beam dip for last 15% of battery life (TR-65 and TR-60) for increased safety
- Robust, reliable and proven materials
- Ergonomic design
- Compact and lightweight
- Large switch (easy to use even when wearing gloves)
- Deep discharge protection
- Highly robust, replaceable polymer clip
- Two lanyard fixings - one at each end of the torch
- Easy maintenance, spare parts available
- Flat torch back increases stability

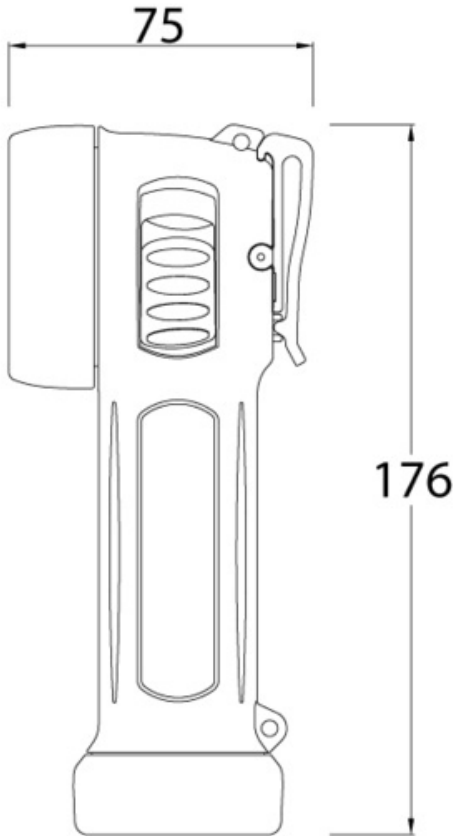
- The TR-65 has an intense spot beam, with a wide angle flood of fringe light



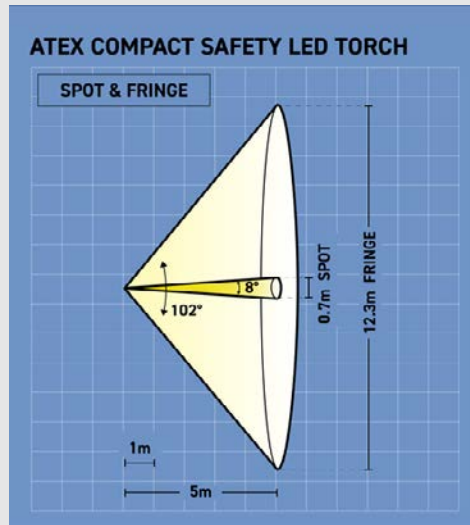
- The flat back on the torch head and robust spring clip keep the torch firmly in place

TECHNICAL INFORMATION

PRODUCT DIMENSIONS



LIGHT OUTPUT DIAGRAM



TR-65: 300 lumens Spot Beam (approx 8°) with extra wide angle flood of fringe light (approx 102°).

Peak luminous intensity, high power at 1m **17,303 lux**, at 5m **692 lux**

Peak luminous intensity, low power at 1m **1,148 lux**, at 5m **46 lux**

TR-60: 200 lumens spot beam (approx 8°) with extra wide angle flood of fringe light (approx 102°).

Peak luminous intensity at 1m **11,525 lux**, at 5m **461 lux**

KEY INFORMATION

PRODUCT CODE	ZONE GAS/DUST	LIGHT OUTPUT (LUMENS)	BATTERY DURATION	POWER SOURCE
TR-60	1/21	200	Up to 12 hours	4 X AA cells (LR6)
TR-65	0/21	300/150/30	Up to 7/14/159 hours	4 X AA cells (LR6)



ATEX COMPACT SAFETY LED TORCH

PRODUCT REFERENCE		TR-60	TR-65
PRODUCT DESCRIPTION		ATEX Right Angle Zone 1 Compact Safety LED Torch	ATEX Right Angle Zone 0 Compact Safety LED Torch
CODE		I M2/II 2G Ex ib I Mb/IIC T3/T4 Gb II 2 D Ex ib IIIB T200°C Db	I M1/II 1G Ex ia I Ma/IIC T3/T4 Ga II 2D Ex ib IIIB T200°C Db
TYPE OF PROTECTION		'ib' intrinsic safety	'ia' intrinsic safety
AREA OF CLASSIFICATION (GAS)		Zones 1 & 2 Gas Groups IIA, IIB IIC	Zones 0, 1 & 2 Gas Groups IIA, IIB IIC
TEMPERATURE CLASS (GAS)		T4 + T3 (depending on cells)	
AREA OF CLASSIFICATION (DUST)		Zones 21 & 22 Dust Groups IIIA and IIIB	
MAX. SURFACE TEMP. (DUST)		T200°C	
AMBIENT TEMPERATURE		-30°C to +40°C	
CERTIFICATE		ATEX Baseefa11ATEX0236 IECEx BAS 11.0116	
ENCLOSURE		Impact Resistant Thermoplastic, Chemical Resistant	
BASE + LENS RING		Shock Absorbing Elastomer	
LENS		Polycarbonate	Toughened Glass
BEAM TYPE		Spot with Fringe	
LIGHT SOURCE	TYPE	High Power LED	
	OUTPUT	200lm	High Power 300lm / Medium Power 150lm / Low Power 30lm
	LIFE	10,000+ hrs	
POWER SOURCE	PART NO.	4 x AA cells (LR6)	
	TYPE	4 x LR6 Primary Cells to IEC 60086	
	VOLTS	4 x 1.5v	
LOW BATTERY INDICATOR	RED LED	No	Yes
	LOW BATTERY BEAM DIP	Yes	
LOW VOLT CUT OFF		Yes	
LIGHT DURATION		Up to 12 hours	Up to 7.0 hrs / 14 hrs / 159 hours
INGRESS PROTECTION		IP66 + IP67	
WEIGHT (INC. CELLS)		330g	

All information has been gathered under laboratory conditions, the user must regard the values given as approximate. Changes may be made to the above specification without notification, details are available on request.



Wolf Safety Lamp Company
Saxon Road Works, Sheffield S8 0YA, UK

T: +44 (0) 114 255 1051
E: info@wolfsafety.com

