

# Safety Storage & Material Handling



## Steel sump pallets - Top line



**ECO 304**

MODEL	DIMENSIONS			STORAGE CAPACITY
	A	B	C	
ECO 301	860	860	425	1x200 l drum on grille
ECO 302	1340	850	330	2x200 l drums on grille or on europallet 1200x800
ECO 304	1340	1250	300	4x200 l drums on grille or on europallet 1200x1200
ECO 304H*	1340	1250	405	

\*Capacity: 50% of the storage volume capacity

## Stackable Conical sump pallets in galvanized sheet steel



**EKON 102Z**

MODEL	DIMENSIONS			STORAGE CAPACITY
	A	B	C	
EKON 101Z	800	800	450	1x200 l drum
EKON 102Z	1200	800	340	2x200 l drums
EKON 104Z	1200	1200	300	4x200 l drums
EKON 104ZH	1200	1200	430	

**EASY TRANSPORT & STORAGE**



- CONICAL sumps tray for safety storage of 200 l drums and small containers - in compliance with regulations.
- Made of hot-dip galvanized steel sheet.
- Removable hot-dip galvanized grid.
- In conformity with the European safety Standards.



THANKS TO THE CONICAL CONSTRUCTION CAN BE STACKED INSIDE EACH OTHER - WITH A GREAT REDUCTION OF THE SPACE DURING THE TRANSPORT.

## Mobile steel sumps



**SPFN451Z**

Drum support

**ECO 310 CR**

MODEL	DIMENSIONS			STORAGE CAPACITY
	A	B	C	
ECO 309 CR	860	860	1170	1x200 l drum directly on grille
ECO 310 CR	1340	850	1170	2x200 l drums directly on grille or on europallet 1200x800

# Galvanized supports to store drums horizontally

## MODULAR



**A**

**SPFN451Z**



**B**

**SPFN451Z**

**new**

Modular support, combining more elements it is possible to create multiple storage stations for 200 lt. drums



**C**

**SPFN453Z**

Standard fixed support for 3x60 lt. drums

MODEL	REF.	DESCRIPTION	STORAGE CAPACITY
SPFN451Z	A	Modular support	1x200 l drum
SPFN451Z*	B	Modular support	2x200 l drums
SPFN453Z	C	Standard fixed support	3x60 l drums

\*Supplied with accessory kit to join the 2 supports

- CERTIFIED CAPACITY
- GALVANIZED HIGH RESISTANCE
- FLAT PACK ON REQUEST
- EASY TRANSPORT
- NO WELDING

## STACKABLES AT FULL LOAD 1+1



**D**

**SPFN351Z**

Support for 1x200 lt. drums



**E**

**SPFN352Z**

Support for 2x200 lt. drums



**F**

**SPFN353Z**

Support for 3x60 lt. drums



**G**

**SPFN048Z**

Support for 2x200 lt. drums

MODEL	REF.	DESCRIPTION	STORAGE CAPACITY
SPFN351Z	D	Stackable support	1x200 l drum
SPFN352Z	E	Stackable support	2x200 l drums
SPFN353Z	F	Stackable support	3x60 l drums
SPFN048Z	G	Stackable support	2x200 l drums

## Outdoor storage deposits for 1t 200 Drums



**ECO 704**

MODEL	DIMENSIONS				STORAGE CAPACITY
	A	B	C	D	
ECO 701	870	870	1600	970	1X200 l. drum directly on grille
ECO 702	1350	860	1570	1080	2X200 l. drums directly on grille or on europallet 1200x800
ECO 704	1350	1260	1540	1080	4X200 l. drums directly on grille or on europallet 1200x1200
ECO 704H*	1350	1260	1645	1080	

\*Capacity: 50% of the storage volume capacity

## Special outdoor storage deposits for flammable products



**ECO 714**

MODEL	DIMENSIONS				STORAGE CAPACITY
	A	B	C	D	
ECO 712	1350	860	1570	1080	2X200 l. drums directly on grille or on europallet 1200x800
ECO 714	1350	1260	1540	1080	4X200 l. drums directly on grille or on pallet 1200x1200
ECO 714H	1350	1260	1645	1080	

\*Capacity: 50% of the storage volume capacity

## Galvanized outdoor storage deposits



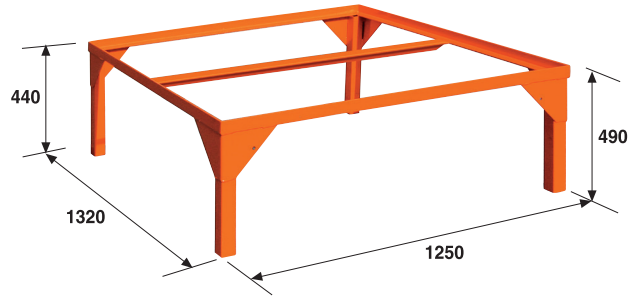
**ECO 792Z**

MODEL	ECO 792Z	ECO 794Z
External dimensions: W x D x H (mm)	1395x905x1600	1395x1310x1660
Internal dimensions: W x D x H (mm)	1290x1250	1290x1250
Collection Volume (l.)	209	400

## Steel sumps for storing IBC



### TILTED SUPPORT



**SPC 100**

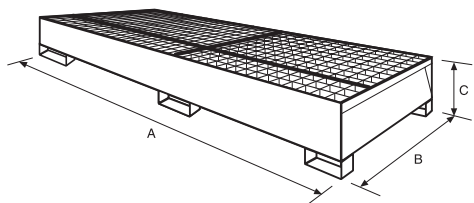
Tilted support

The SPC 100 support is tilted to facilitate transfer and dosing operations and ensure tank empties completely.

MODEL	DIMENSIONS			COLLECTION VOLUME
	A	B	C	
ECO 310	1340	1650	620	l.1000

## Steel sumps for storing IBCs

MODEL	DIMENSIONS			COLLECTION VOLUME
	A	B	C	
ECO 320	2720	1315	420	l.1000
ECO 321	2720	1650	350	l.1000
ECO 330	3280	1315	420	l.1200



**SPC 100**

Tilted support



**ECO 320**

## Outdoor storage deposits for IBCs



**ECO 719BZ**

This practical and functional deposit has been designed for the indoor & outdoor storage of IBCs or small containers.

### KEY FEATURES

- Hot galvanized sheet metal sump, on demand also available overpainted, blue colour.
- Removable galvanized grid - high load capacity. Split into multiple segments to facilitate picking and the internal cleaning of the sump.
- Cover structure made of galvanized sheet steel with corrugated top.
- Lockable Door with to protect the stored materials from unauthorized personnel

MODEL	ECO 719BZ	ECO 719Z	ECO 719ZB
IBC capacity	1	1	1
External dimensions: W x D x H (mm)	1405x1810x2625	1405x1810x2625	1405x1810x2625
InNet door opening: W x D x H (mm)	1340x1900	1340x1900	1340x1900
Inner working depth (mm)	1650	1650	1650
ACCESSORIES	CODE		
Air intakes for flammable materials	GV 719		
Tilted support model	SPC 102Z		

## Flat pack modul Containers for 2 IBCs basic series



FLAT PACK VERSION

**FPMA2722PBZ**



- BENEFITS:**
- Easy assembling
  - Reduced freight cost
  - Suitable for limited access areas
  - Easy handling operations

MODEL	FPMA2722PBZ	FPMA2722PBZB
IBCs capacity	2	2
External Dim.: WxDxH mm	2700x2200x2385	2700x2200x2385
Net door opening: WxH mm	2500x1900	2685x1885
Inner working depth mm	2000	2000

## Modul Containers for hazardous and flammable substances



**MCO 923 Z**

**RAMCO/280Z**

MODEL	MCO 923 Z/ZB	MCO 923 ADZ/ADZB
External dimensions: W x D x H (mm)	3150x2350x2365	*3325x2350x2365
Internal dimensions: W x D x H (mm)	2940x2140x2000	2940x2140x2000
Collection Volume (l.)	1000	1000

Z = galvanized      ZB = galvanized and overpainted in blue      AD = explosion proof ventilation system

\*3150+175 AIR EXTRACTOR = 3325

## Modul container with sliding doors for the outdoor safety storage of 12 IBCs



**MCO K12 PSZ**

MODEL	MCO K12 PSZ	MCO K12 PSZB
External dimensions: W x D x H (mm)	7230x1710x3480	7230x1710x3480
Net light door opening (mm)	3450x2750	3450x2750
Internal depth (mm)	1340	1340
Collection volume (Lt.)	4000	4000
Capacity	12 IBCs	12 IBCs
ACCESSORIES	CODE	
Insulated roof	TSK 12	
Grilles	GV 343	

## 2 Levels Container optimised for storing IBCs



DIFFERENT SOLUTIONS AVAILABLE,  
INCLUDING INSULATED AND  
THERMAL CONTROL

MODEL	CTK 2P 7014
External dimensions: W x D x H (mm)	7000x1415x3500
Internal dimensions: W x D x H (mm)	4x3380x1340x1385
Collection volume (l.)	4000
IBCs capacity	12 IBCs
No doors	CTK 2P 7014
With sliding doors	CTK 2P 7014 PS
With PCV fabric	CTK 2P 7014 TP

## Flat pack Deposits for compressed gas cylinders

**FLAT PACK  
VERSION**



**PBO 15 SBZ**

**BENEFITS:**

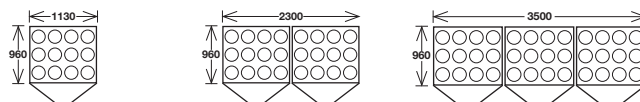
- Easy assembling
- Reduced freight cost
- Suitable for limited access areas
- Easy handling operations

MODEL	External dimensions W x D x H (mm)	Cylinder capacity
PBO 15 SB Z without base	1550x1210x2285	1 pallet + 4 cylinders or 2 compartments each for 3 rows of 4 cylinders
PBO 15 CB Z with base	1550x1210x2450	1 pallet + 4 cylinders or 2 compartments each for 3 rows of 4 cylinders

## Deposits for compressed gas cylinders



**PBO 011 CBZ**



MODEL	PBO 011 CBZ	PBO 023 CBZ	PBO 035 CBZ
Number of cylinders	9/12	18/24	27/36
Dimensions (mm)	960x1130x2100 H	960x2300x2100 H	960x3500x2100 H

## Steel Pallet for gas cylinders handling

MODEL	Number of cylinders Ø 230 mm	External dimensions W x D x H (mm)
PBO 04Z	4	860x650x1115 H
PBO 08Z	8	860x1170x1115 H
PBO 12Z	12	1030x805x1225 H



**PBO 08Z**



## Big Bag holder with demountable structure



DEMOUNTABLE  
STRUCTURE

### STACKABLE BIG BAG PALLET

- Mesh bottom with removable uprights
- Hot-galvanised carbon steel construction
- Suitable for holding 1000-litre Big Bags (or flexible bag).

On request, as an optional, 1000-litre Big Bag is available



MODEL	Dimensions WxDxH mm	Capacity kg	Volume litres
SPB120Z	1070x 1070x1350	1000	-
SPB122A	1000x 1000x1860	1000	208
SPB122Z	1000x 1000x1860	1000	208
SPB122CRA	1000x 1000x1998	900	208
SPB122CRZ	1000x 1000x1998	900	208

### BIG BAG HOLDER PALLET

- Featuring a watertight safety tray for liquids with removable galvanised grid.
- Construction made in 3 and 4 mm carbon steel.
- Four pull-out uprights.
- Upper Big Bag holder frame that snaps into the four pull-out uprights.
- Corrosion proof exterior treatment and safety labelling.



SPB 122CRA



SAFE STORAGE  
SOLUTIONS OF  
BIG BAGS



CERTIFIED  
COLLECTION  
TANK



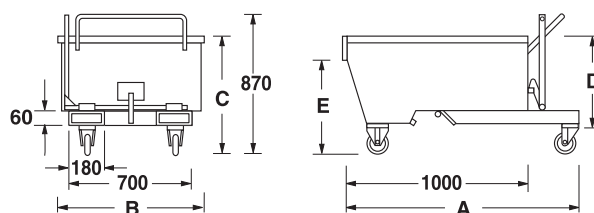
SPB 122Z

DEMOUNTABLE  
STRUCTURE

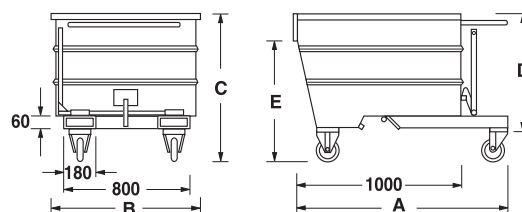


# Skips Tilting Containers

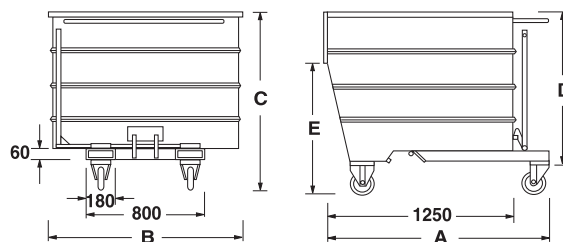
- The best solution to facilitate the collection and unloading of waste and scrap, safely
- simple and safe automatic emptying, can be lifted with forklift trucks and can be easily tipped over by the operator using a lever to empty the entire contents without ever getting off the vehicle.
- equipped with watertight tanks, they can be easily moved by hand into the work position thanks to four large diameter wheels (two fixed and two swivel) mounted on bearings.
- Wide range available
- Ideals for all types of business
- On demand: setting tank and ball valve, hinged metal sheet cover, hydraulic cylinder with compensator.



MODEL	DIMENSIONS					Capacity Kg	Volume litre
	A	B	C	D	E		
LT 300	1350	820	650	490	520	600	285



MODEL	DIMENSIONS					Capacity Kg	Volume litre
	A	B	C	D	E		
LT 500	1350	920	910	700	740	1000	490
LT 750	1350	1070	1040	825	800	1350	755



MODEL	DIMENSIONS					Capacity Kg	Volume litre
	A	B	C	D	E		
LT 1000	1550	1070	1210	970	920	1700	1070
LT 1350	1550	1320	1210	970	920	2000	1320
LT 1600	1550	1550	1210	970	920	2000	1610

# Containers with Openable Bottoms



1 OPENABLE BOTTOM



SL 154 C

MODEL	DIMENSIONS					Capacity (Kg)
	A	B	C	D	E	
SL 154 A	1000	800	650	100	110	1300
SL 154 B	1200	1000	650	100	110	1400
SL 154 C	1500	1000	1000	100	110	1400

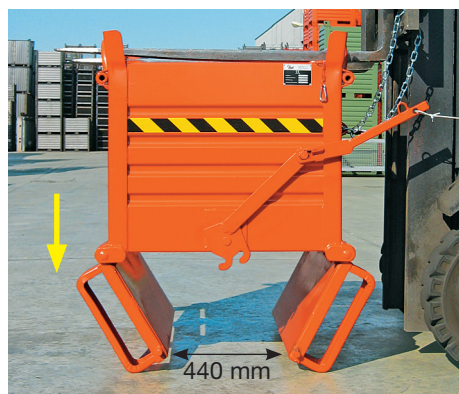
- The best solution to facilitate the collection and unloading of waste and scrap, safely
- Simple and safe automatic emptying, lifted by forklift truck, easy unload by the operator using a lever to empty the entire contents without ever getting off the forklift truck.
- Wide range available
- Ideals for all types of business



CE MARKING



2 OPENABLE BOTTOMS



MODEL	DIMENSIONS					Capacity (Kg)
	A	B	C	D	E	
SL 064 H650	1000	800	650	110	110	2000
SL 064 H1000	1000	800	1000	110	110	2000
SL 064 H1300	1000	800	1300	110	110	2000

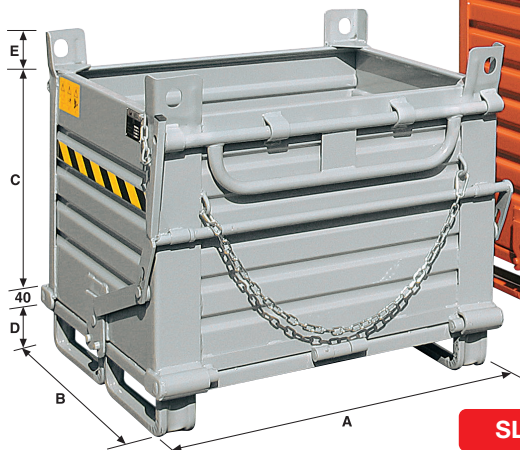
2 OPENABLE BOTTOMS



SL 064 H1300

SL 064 H1000

SL 064 H650





Sall is a highly specialized Italian manufacturer since 1975. The core business includes an innovative product range, from environmental solutions, spill management, safety at work, material handling and industrial supplies. Diversification and customization make Sall a strategic key partner. In 2017 Sall joined the Justrite Safety Group, leading multinational company highly specialized in the manufacturing of products to protect workers, workplaces and the environment with a comprehensive range of industrial safety solutions.

#### **Prevention of accidental spills**

- Steel sump pallets
- Galvanized supports
- Outdoor storage deposits
- Modul containers & Containers

#### **Gas cylinder storage**

- Deposits for compressed gas cylinders
- Steel pallets for gas cylinders handling

#### **Safety at works**

- Stackable big bag pallet
- Big Bag holder pallet

#### **Collection and handling of scrap and waste**

- Skips tilting containers
- Containers with openable bottoms

#### **Industrial supplies**

- Sheet metal & Mesh containers
- Stackable collapsible containers
- Metal boards

*To learn more about our full portfolio of products,  
please visit [sall.it](http://sall.it)*