

Heated Sample Gas Filter AHF-22

Gas analysis is a complex field. The sample gas to be analysed must be extracted and handled under quite diverse conditions to yield representative and reliable analysis results. One requirement may be that the sample gas be particle-free and extracted and transported hot.

The AHF-22 heated particle filter is particularly suited for this type of application. The filter element can quickly be changed without interruption and without tools.

Simple, sturdy construction

Easy installation

Tool-less filter element change

No disassembly required to replace filter

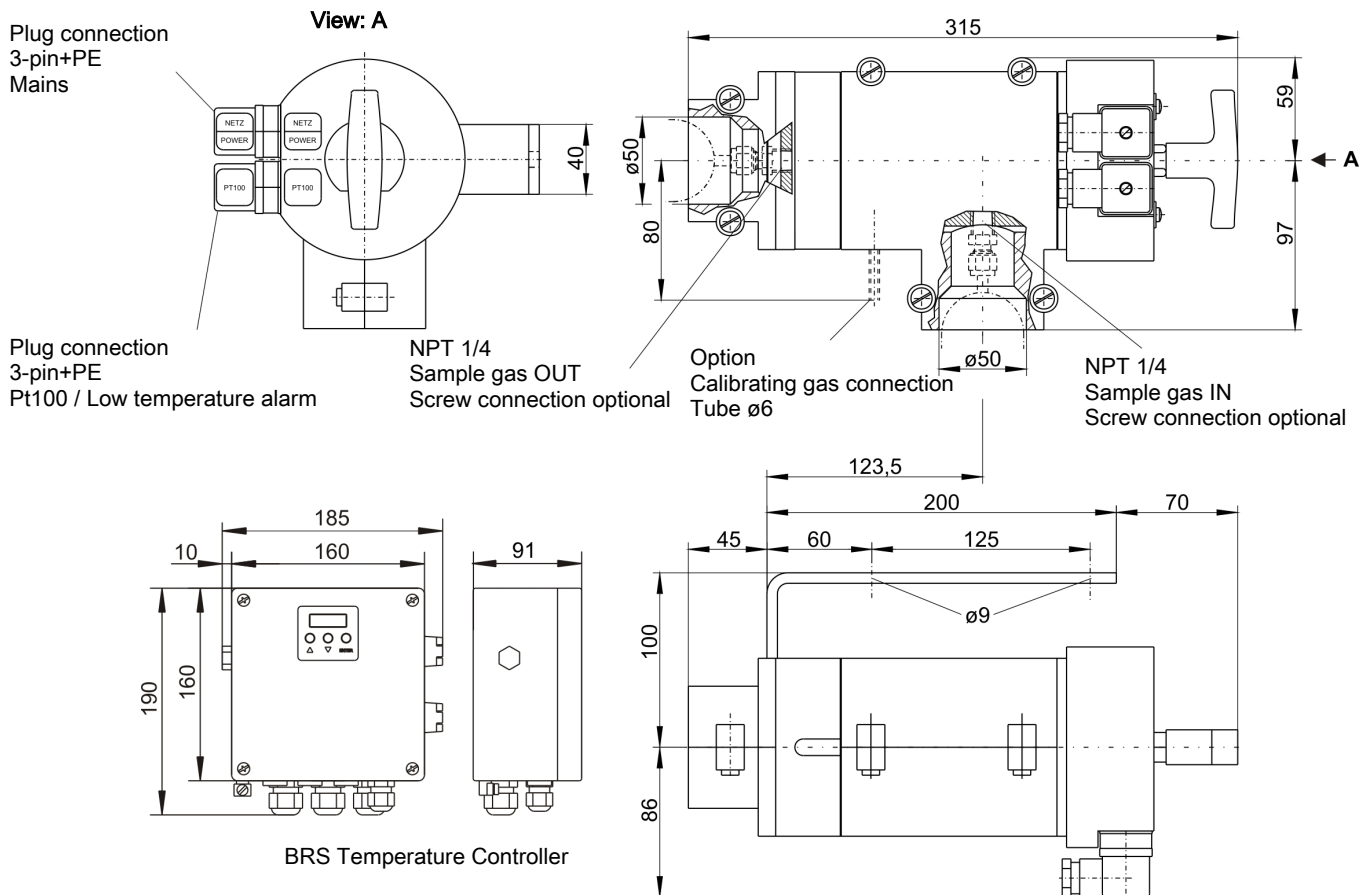
Controlled or self-regulating heater

Calibrating gas connection optional

No cold spots



Dimensions



Technical Data

AHF-22 Heated Analysis Filter

Dead volume	80 - 100 ml
Material - filter housing	1.4571
Material - gasket	Viton (perfluorelastomer upon request)
Insulation	filled resin
Heat output	400 W
Protection rating	IP 40
Weight	6.4 kg
Operating pressure max.*	16 bar
Temperatures	self-regulating heater: approx. 180 °C adjustable heater: max. 200 °C
Temperature sensor	self-regulating heater: contact 140 °C adjustable heater: Pt100
Ambient temperature	0...70 °C

Ordering instructions

Filter*

Item no.	Model	Description	Voltage
41 22 2294	AHF-22-S	self-regulating	115-230 V A, 50/60 Hz
41 22 2295	AHF-22-S-K	self-regulating, calibrating gas connection	115-230 V A, 50/60 H
41 22 2296	AHF-22-115-R	adjustable**	115 V AC, 50/60 Hz
41 22 2299	AHF-22-230-R	adjustable**	230 V AC, 50/60 Hz
41 22 2297	AHF-22-115-R-K	adjustable, calibrating gas connection**	115 V AC, 50/60 Hz
41 22 2298	AHF-22-230-R-K	adjustable, calibrating gas connection**	230 V AC, 50/60 Hz
41 22 2092	BRS	Temperature controller	230 V AC, 50/60 Hz
41 22 2192	BRS	Temperature controller	115 V AC, 50/60 Hz

* no filter element

** no temperature controller

Filter elements

Item no.	Material	Filter fineness	Packing unit
46 22 2010	Sintered metal incl. gaskets (Viton)	5 µm	1 pieces
46 22 2011	Stainless steel mesh star-pleated incl. gaskets (Viton)	10 µm	1 pieces
46 22 2026	Ceramic incl. gaskets (Viton)	3 µm	1 pieces
46 222 012	Set of gaskets for filter element and filter (Viton)		1 pieces
46 222 024	Set of gaskets for filter element and filter (perfluorelastomer)		1 pieces