



Sample gas probe GAS 222.15

In many applications gas analysis is the key for safe and efficient control of process flows, environmental protection and quality assurance. In extractive gas analysis the location of the gas sampling point is crucial for the reproducibility and accuracy of the analysis results.

The specific filter capacity, corrosion resistance and functional equipment requirements for the probe arise from the composition of the sample gas.

However, operating costs are also an important criterion in the selection, as the sampling points are frequently located at hard to access points in the system. Effective particle filter backwashing options and low maintenance characterise the extensive GAS probe series.

Heated probe with downstream filter

The downstream filter can easily be removed by turning the handle 90°

The probe body and the area around the screw connection for the heated sample gas line are completely isolated

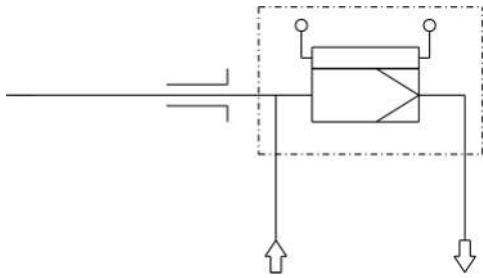
Self-regulating heater to approx. 180 °C with low temperature alarm

For dust loads up to 2 g/m³

This probe is not suitable for use in Ex areas



Flow chart



Technical Data

Gas Probe Technical Data

Probe operating temperature:	max. 200 °C
Ambient temperature:	-20 to +80 °C
Self-regulating heater:	+180 °C
Low temperature alarm:	Contact open at operating temperature, closes at < 140 °C, Max. switching current 4 A
Electrical data:	230 V, 2.0 A, 50/60 Hz 115 V, 3.8 A, 50/60 Hz
Max. operating pressure:	6 bar
Parts in contact with media:	Flange: 1.4571 Seals: Graphite/1.4404 and see filter

Ordering instructions

The item number is a code for the configuration of your unit. Please use the following model key:

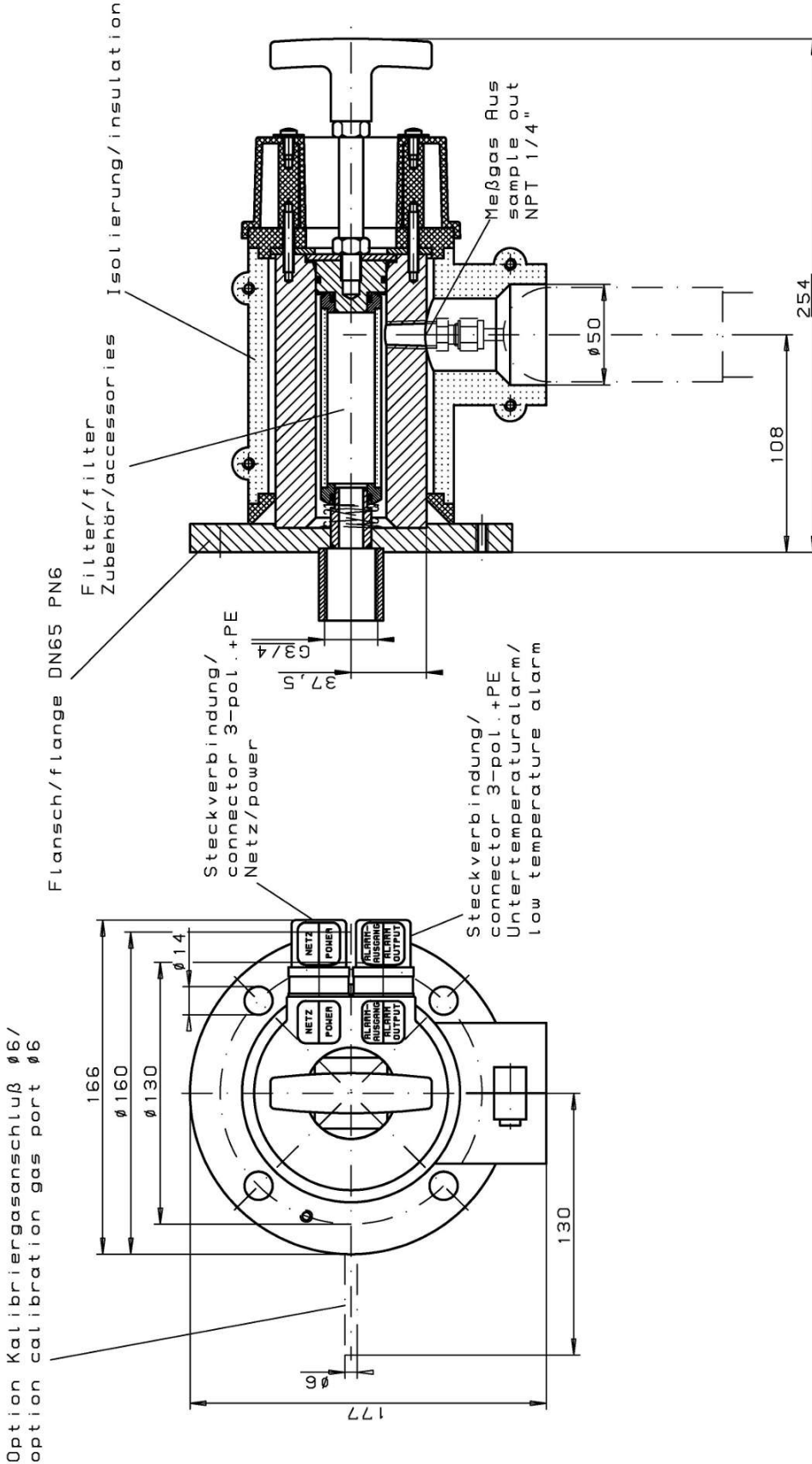
4622215	0	9	9	0	3	X	0	0	9	9	9	9	9	9	9	Product Characteristics	
																Flange type	
																DIN DN65 PN6	
																Power supply sample probe	
																115/230 V	
																Calibrating gas connection	
																0	No calibrating gas connection
																1	6 mm
																2	6 mm + check valve
																3	1/4"
																4	1/4" + check valve

Options

The base unit becomes functional by adding accessories suitable for the application. Please refer to accessory data sheet no. 461099 for information.

Please also refer to data sheet no. 461000 "GAS 222 Gas Probes" for a general description.

Dimensions



GAS 222.15

Werkstoffe/materials
 -Flansch, Kopf/flange, head
 Betriebstemp. Sonde/operating temp. probe
 Heizung/heating
 -Temperatur/temperature
 -Untertemperaturalarm/low temperature alarm
 max. Schaltstrom/max. current
 -Umgebungstemperatur/ambient temperature

1. 4571/SS 316Ti
 max. 200°C / 392°F
 100-250VAC 400W
 180°C / 356°C
 selbstregelnd/self regulating
 150°C / 302°F
 4A
 -20 bis/to + 80°C
 - 4 bis/to +176°F

ALLE RECHTE VORBEHALTEN		Maße ohne Toleranzangabe nach ISO 2768-mK		Maßstab 1:2	(Gewicht)
h	1x	19.04.02/Br	Datum	Benennung:	
g	2x	28.08.01/Br	Bearb.	Gasentnahmesonde	
f	2x	28.10.99/Br	Gepr.	sample gas probe	
e	1x	14.10.98/Br		GAS 222.15	
d	neu	05.08.98/Br		Zeichn.-Nr. 46/068-01-3H	
c	neu	10.11.97/Br		Art.-Nr. 4622215	
b	neu	04.09.97/Br		ARBEITSSANWEISUNG:	
a	1x	08.08.97/Br			
Zust. Rnd.	Datum	Named Ers	für	46/068-01-4	