



Sample gas probe GAS 222.30

In many applications gas analysis is the key for safe and efficient control of process flows, environmental protection and quality assurance. In extractive gas analysis the location of the gas sampling point is crucial for the reproducibility and accuracy of the analysis results.

The specific filter capacity, corrosion resistance and functional equipment requirements for the probe arise from the composition of the sample gas.

However, operating costs are also an important criterion in the selection, as the sampling points are frequently located at hard to access points in the system. Effective particle filter backwashing options and low maintenance characterise the extensive GAS probe series.

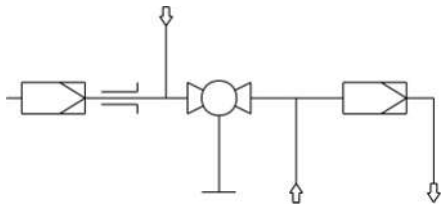
Unheated probe with Shut-off valve and upstream filter

For dust loads up to 200 g/m³, non-condensable gases

The probe is suitable for use in explosive areas



Flow chart



Technical Data

Gas Probe Technical Data

Operating temperature:	max. 200 °C
Max. operating pressure:	6 bar
Material:	Ball valve 1.4408
Parts in contact with media:	Flange: 1.4571 Seals: PTFE/Graphit/1.4404 and see filter

Ordering Instructions

The item number is a code for the configuration of your unit. Please use the following model key:

4622230	0	9	9	0	0	X	0	0	X	X	X	X	X	X	Product Characteristics
															Flange / approval
															DIN DN65 PN6
															Power supply sample probe
															none
															Calibrating gas connection
	0														No calibrating gas connection
	1														6 mm
	2														6 mm + check valve
	3														1/4"
	4														1/4" + check valve
															Connection heated extension
															No
															Built-in temperature controller for heated extension
															No
															Blowback with air reservoir ¹⁾
															Air reservoir heating
							1								Yes
							9								No
															Built-in blowback control
								9							No
															Compressed air valve / valve voltage information
									0						Manual
										1					115 V
											2				230 V
												3			24 V
													9		None (if no blowback requested)
															Pneumatic drive for ball valve
										0					Manual
											1				Monostable pressure-free open
												2			Monostable pressure-free closed
													3		Bi-stable
															Limit switch for pneumatic drive
											1				Yes
												9			No
															Control valve for pneumatic drive
														3	3/2-way valve
														5	5/2 way valve
														9	No control valve

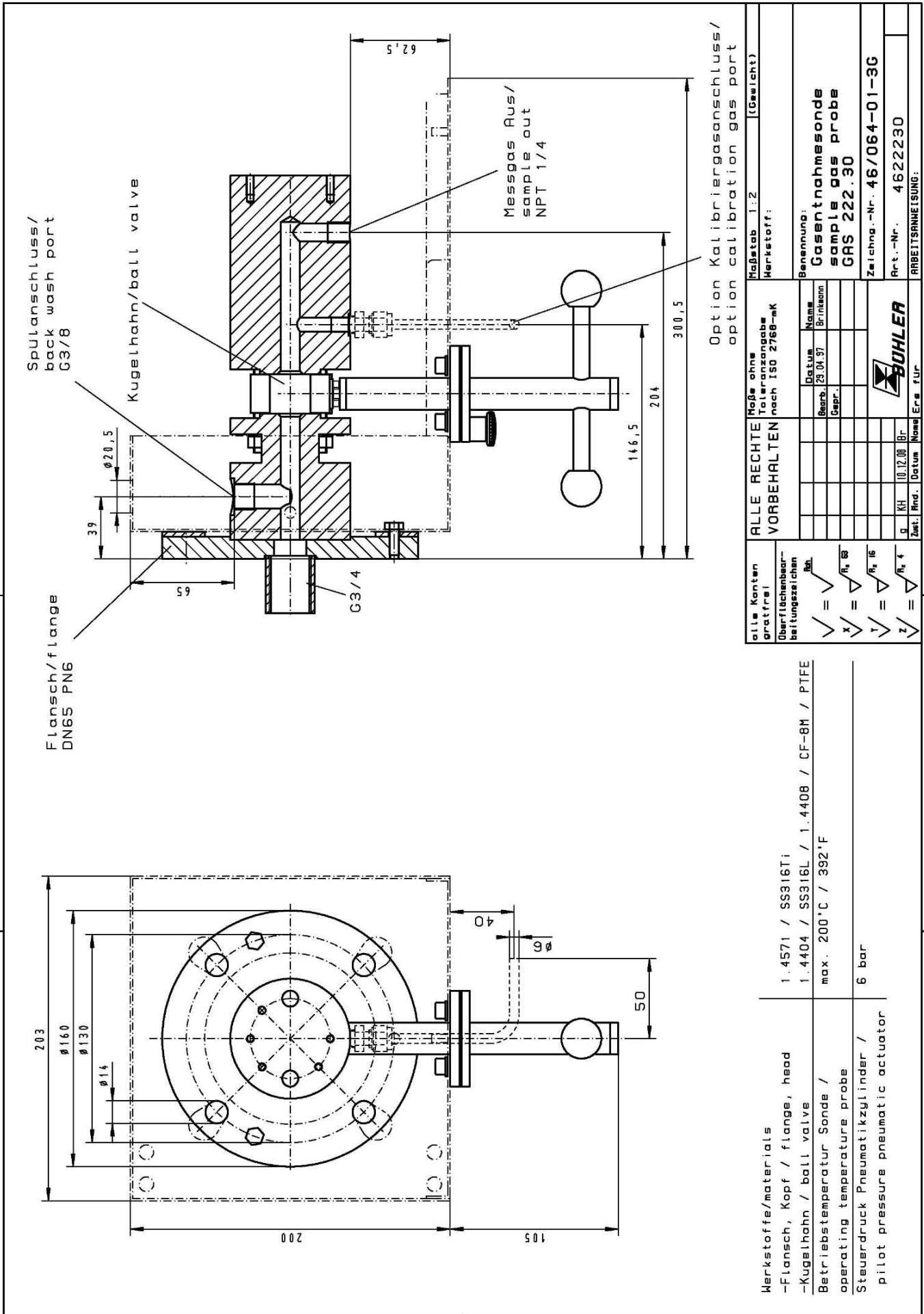
¹⁾ For flammable sample gas, always use inert gas for blowback. Probe blowback prohibited when using explosive gases!

Options

The base unit becomes functional by adding accessories suitable for the application. Please refer to accessory data sheet no. 461099 for information.

Please also refer to data sheet no. 461000 "GAS 222 Gas Probes" for a general description.

Dimensions



Option Kalibriergasanschluss/
option calibration gas port

alle Konten gratfrei Oberflächenbear- beitungszeichen Boh. x / = r _h 68 y / = r _h 16 z / = r _h 4		Maße ohne Toleranzangabe nach ISO 2768-mK		Maßstab 1:2 Merkstoff:	
Werkstoffe/materials -Flansch, Kopf / flange, head -Kugelhahn / ball valve Betriebstemperatur Sonde / operating temperature probe Steuerdruck Pneumatikzylinder / pilot pressure pneumatic actuator		1.4571 / SS316Ti 1.4404 / SS316L / 1.4408 / CF-8M / PTFE max. 200°C / 392°F 6 bar		Benennung: Gasentnahmesonde sample gas probe GAS 222.30 Zeichnung.-Nr. 46/064-01-3C Art.-Nr. 4622230 ARBEITSANLEITUNG:	
ALLE RECHTE VORBEHALTEN		Datum 29.04.97 Gepr.		BUHLER	
g KH 10.12.00 Br		Zust. Rnd. Datum Name Ers für		ARBEITSANLEITUNG:	