

SPECIFICATION SHEET FOR O3 SENSOR TYPE O3/C-5000

PERFORMANCE CHARACTERISTICS

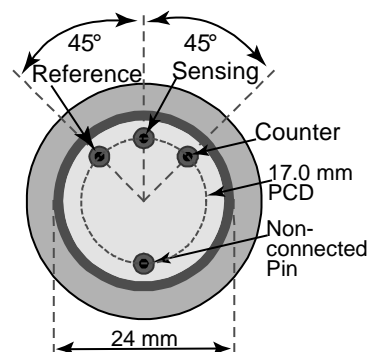
Nominal Range	0 – 5000 ppm
Maximum Overload	10'000 ppm
Expected Operation Life	2 years in air
Output Signal	-30 ± 10 nA/ppm
Resolution	2 ppm
Temperature Range	- 20 °C to 50 °C
Pressure Range	Atmospheric
Pressure Coefficient	No data
T ₉₀ Response Time	< 60 sec
Relative Humidity Range	15 % to 90 % R.H. non-condensing
Typical Baseline Range (pure air, 20°C)	-3 to +3 ppm equivalent
Maximum Zero Shift (+20°C to +40°C)	< 6 ppm
Expected Long Term Output Drift	< 2 % signal loss/month
Recommended Load Resistor	10 Ohm
Bias Voltage	Not recommended
Repeatability	5 % of signal
Output Linearity	Linear

PHYSICAL CHARACTERISTICS

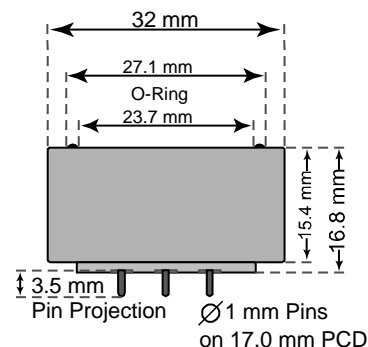
Weight	~ 13 g
Position Sensitivity	None
Storage Life	Six months in container
Recommended Storage Temperature	5 °C – 20 °C
Warranty Period	12 months from date of dispatch

Compact-Size Outline Dimensions

BOTTOM VIEW



SIDE VIEW



CROSS-SENSITIVITY DATA

Interfering Gas	Concentration	Reading
CO	300 ppm	0 ppm
SO ₂	5 ppm	0 ppm
NO	35 ppm	0 ppm
H ₂	300 ppm	0 ppm
NO ₂	20 ppm	~ 16 ppm
H ₂ S		ND
Ethylene	100 ppm	0 ppm
Cl ₂	10 ppm	~ 7 ppm

Performance data conditions:
20 °C, 50% RH and 1013 mbar

The data contained in this document is for guidance only. Membrapor AG accepts no liability for any consequential losses, injury or damage resulting from the use of this document or the information contained within it. The data is given for guidance only. Customers should test under their own conditions, to ensure that the sensors are suitable for their own requirements.

REV.: 12/2009

Page 1 of 1