

# Extruder RTD Probes With Compression Fittings

- ✓ Ideal for Plastic Process Machinery
- ✓ 100 Ω Class “B” Thin-Film DIN Platinum Element
- ✓ 4.75 mm (3/16”) Diameter, 304 Stainless Steel Sheath
- ✓ 1/8 NPT Brass Compression Fitting Standard
- ✓ 1.5 m (60”) Flex Cable Standard
- ✓ Temperature Range to 260°C (500°F) Continuous [Optional 500°C (932°F) Cable Available]
- ✓ 3-Wire Construction Color Coded Red/Red/White Per IE/ASTM-E-1137

## CFTF Series

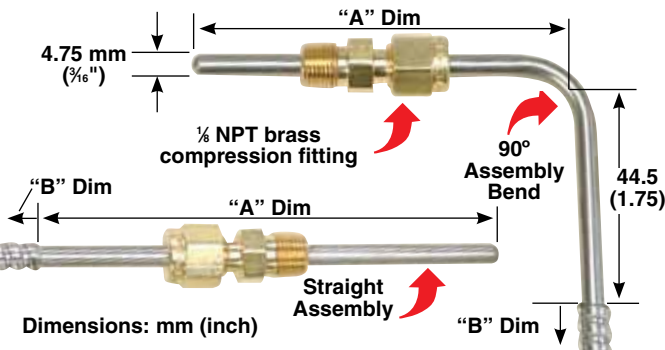


CFTF-000-RTD-2-60-1 shown smaller than actual size.

Comes standard with OTP connector or spade lugs, see table below.

#26 AWG stranded nickel-plated copper, PFA jacketed with flex armor

BTC Adaptors Available Online



To Order				
Model Number	Termination	Bend	“A” Dim mm (inch)	
CFTF-000-RTD-2-60-1	Spade Lugs	Straight	50	(2)
CFTF-000-RTD-2-60-2	OTP Connector	Straight	50	(2)
CFTF-000-RTD-4-60-1	Spade Lugs	Straight	100	(4)
CFTF-000-RTD-4-60-2	OTP Connector	Straight	100	(4)
CFTF-090-RTD-2-60-1	Spade Lugs	90°	50	(2)
CFTF-090-RTD-2-60-2	OTP Connector	90°	50	(2)
CFTF-090-RTD-4-60-1	Spade Lugs	90°	100	(4)
CFTF-090-RTD-4-60-2	OTP Connector	90°	100	(4)

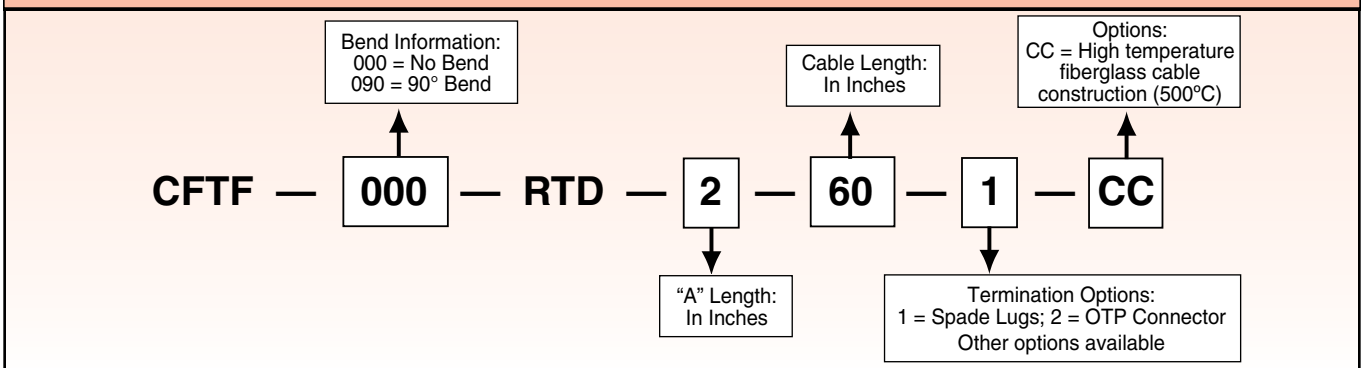
Adaptors for insertion and pipe clamp use also available, visit us online for complete information.

\* For other lengths of armoured cable, change “60” in model number to length desired for an additional cost per foot over 5' (60"). For high temperature construction (500°C), add “-CC” to the end of model number for an additional cost.

\*\* Other A lengths available, for an additional cost per inch over 6".

Ordering Example: CFTF-000-RTD-2-60-1, straight compression style, “Z” dimension, 60" cable, lug terminations.

## How are OMEGA’s Model Numbers Constructed?



Ordering Example: CFTF-000-RTD-2-60-1, spade lugs.